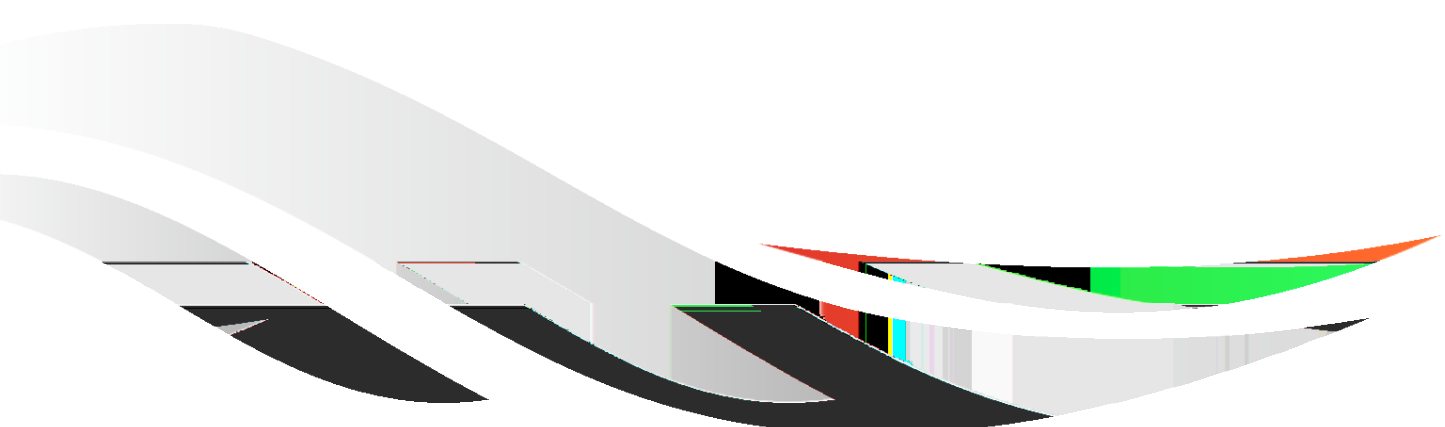
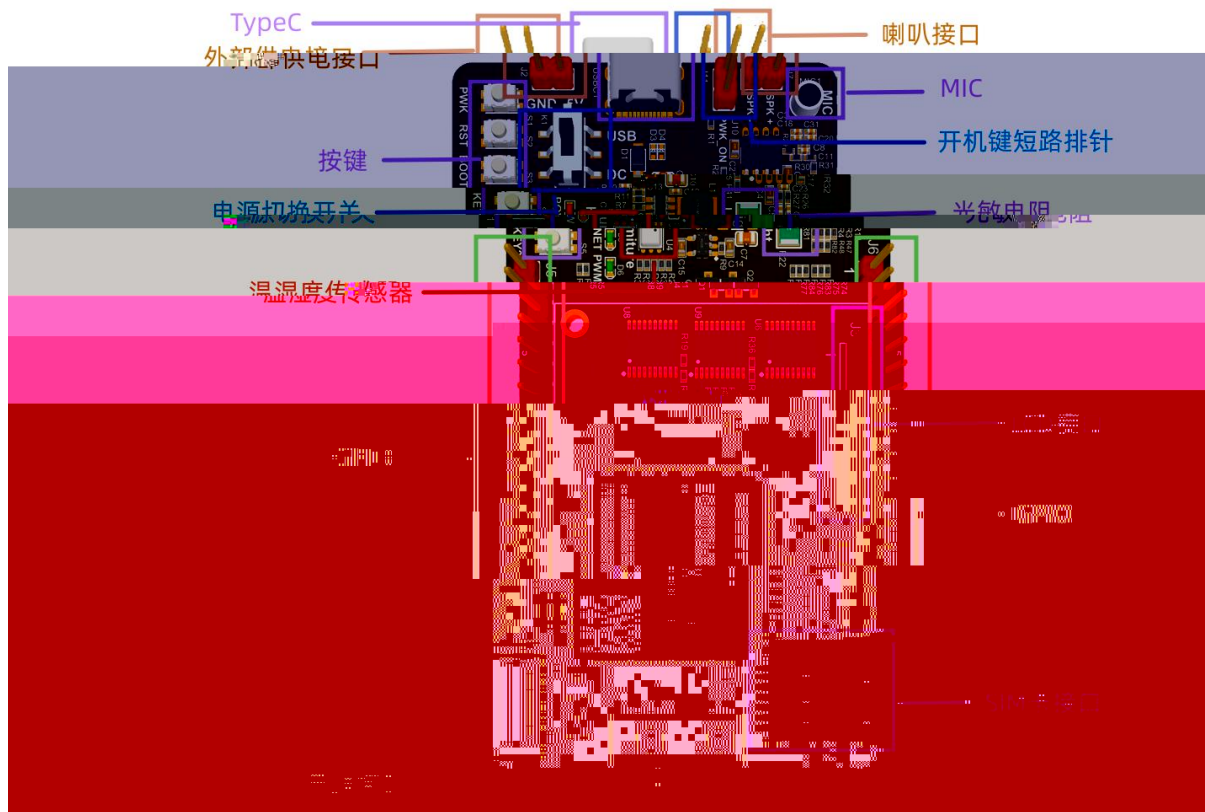


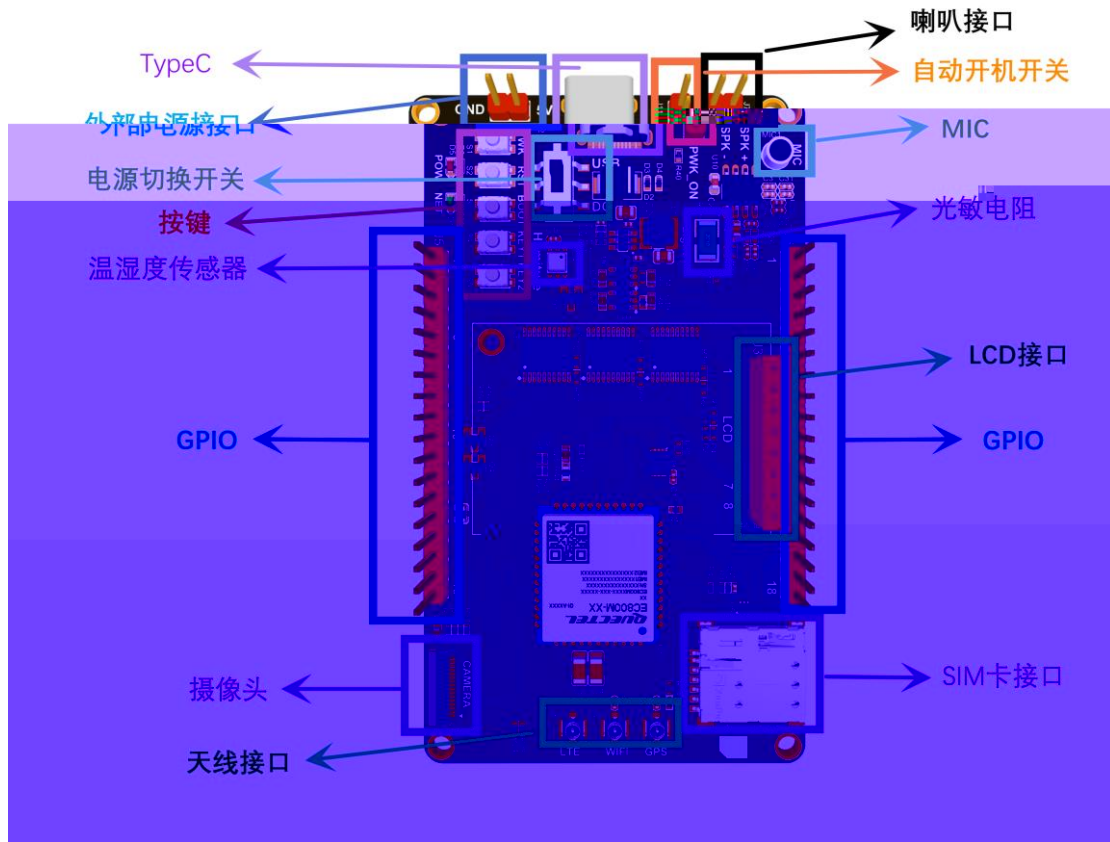
EVB_EC600X、EC800X

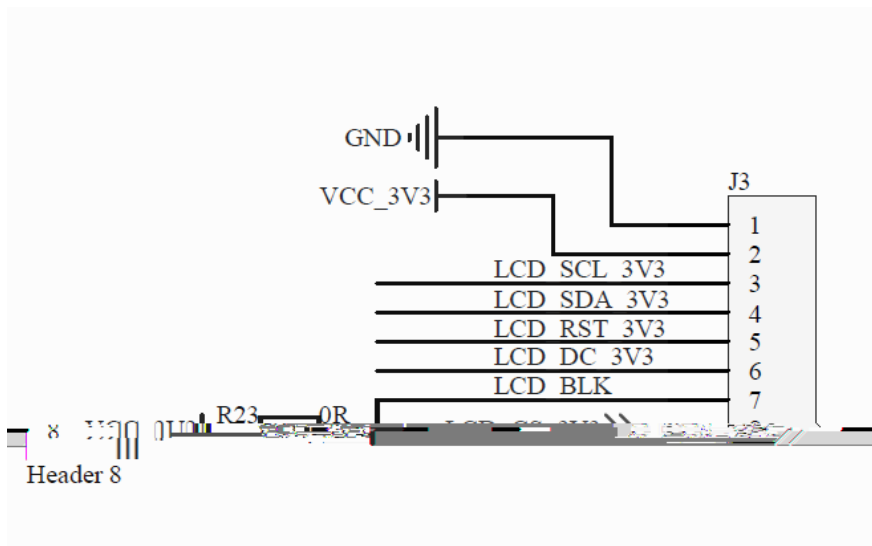
EVB 0X、E800X 3.2
11 07

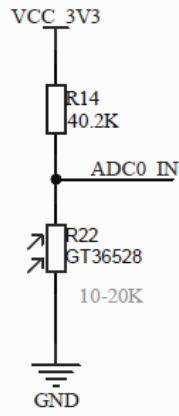


EC600X☐ EC600 EC600N EC600U EC600M
EC800X☐ EC800 EC800M EC800E
EVB☐
V3.X--

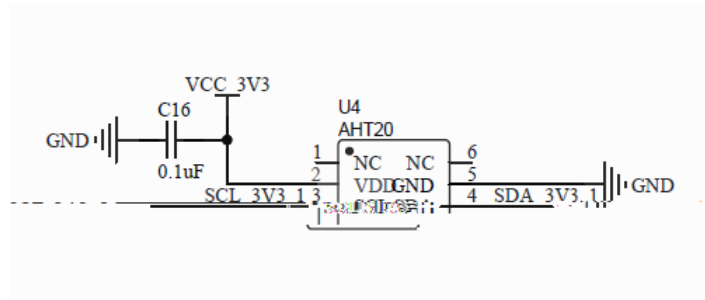
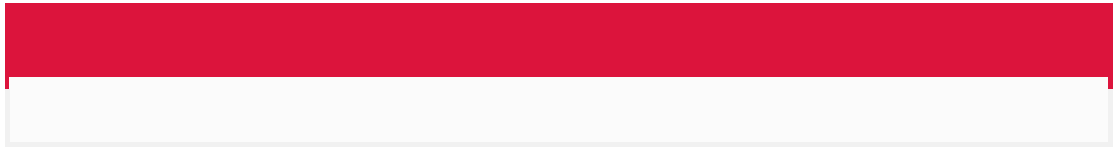


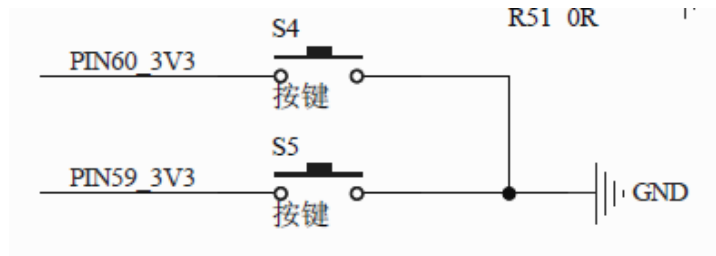
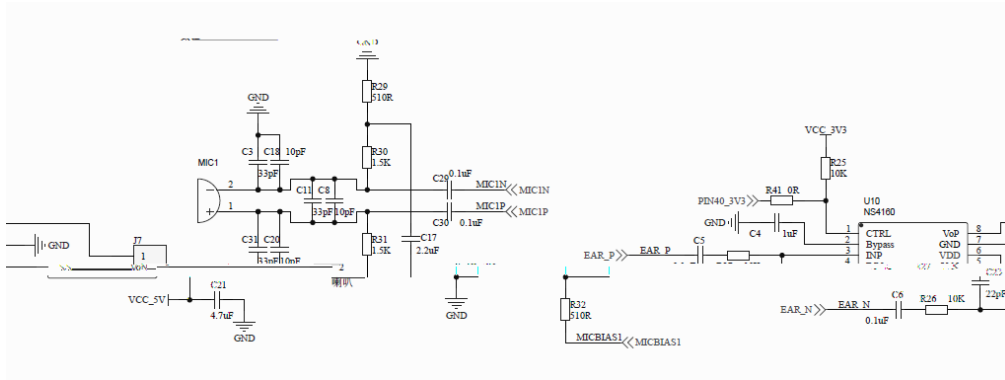






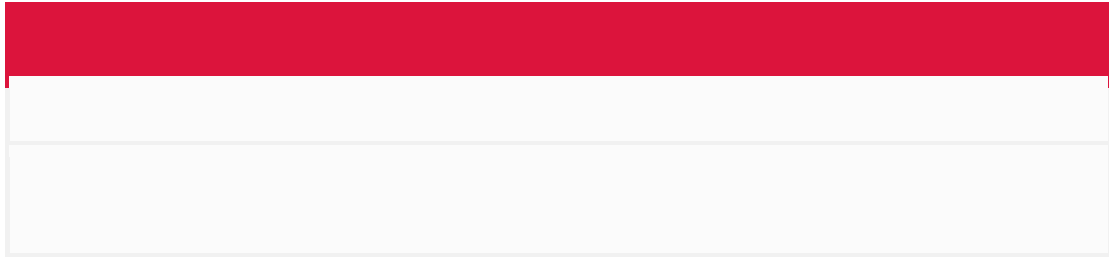
光敏电阻



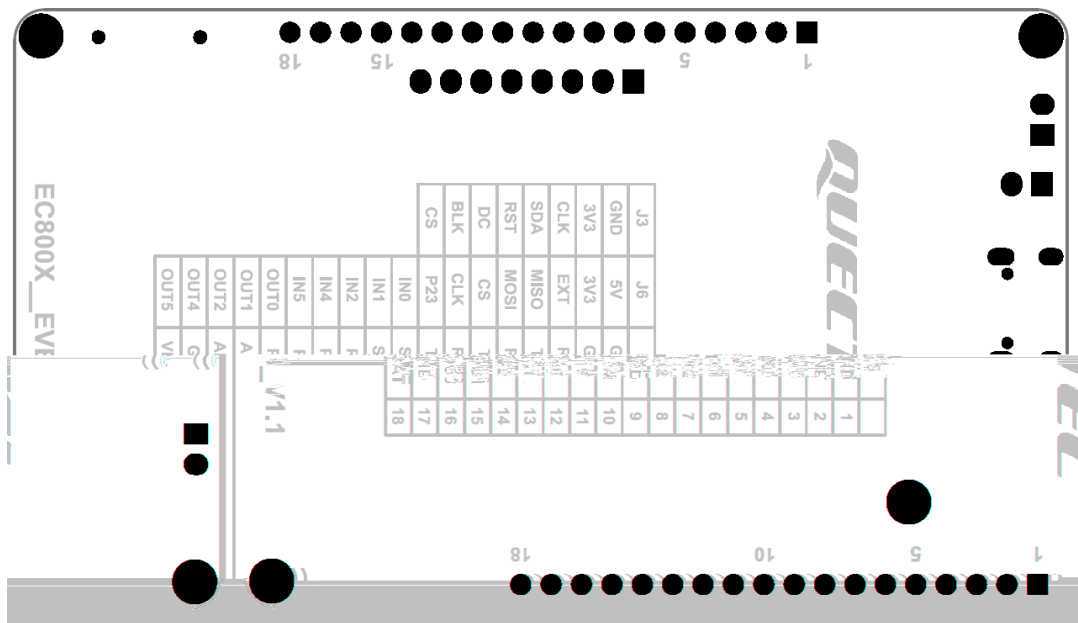


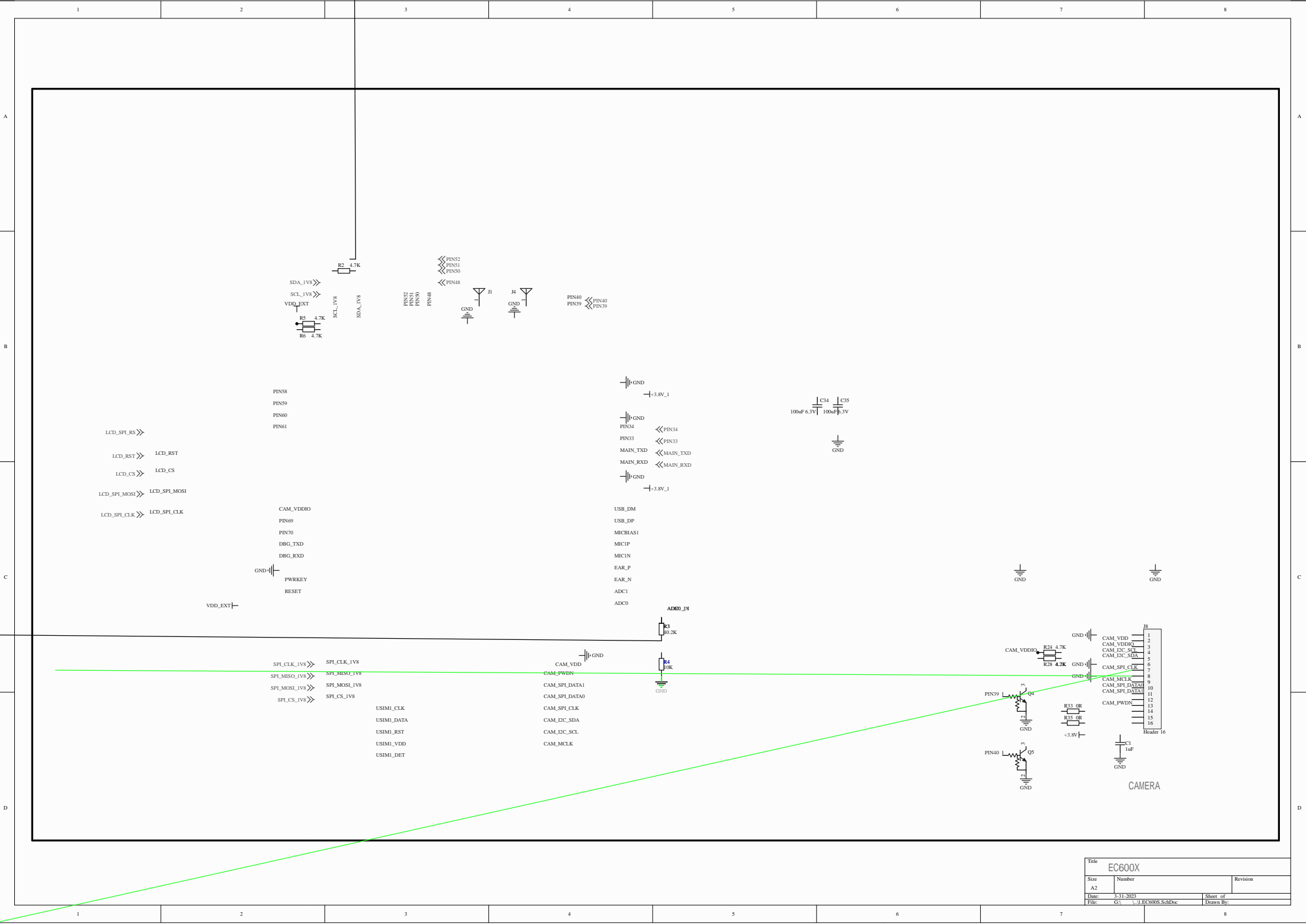
setup.exe

- Quectel USB AT Port (COMx)
- Quectel USB AP Log Port (COMx)
- Quectel USB CP Log Port (COMx)
- Quectel USB Diag Port (COMx)
- Quectel USB MOS Port (COMx)
- Quectel Modem (COMx)
- Quectel USB Serial-1 Port (COMx)
- Quectel USB Serial-2 Port (COMx)

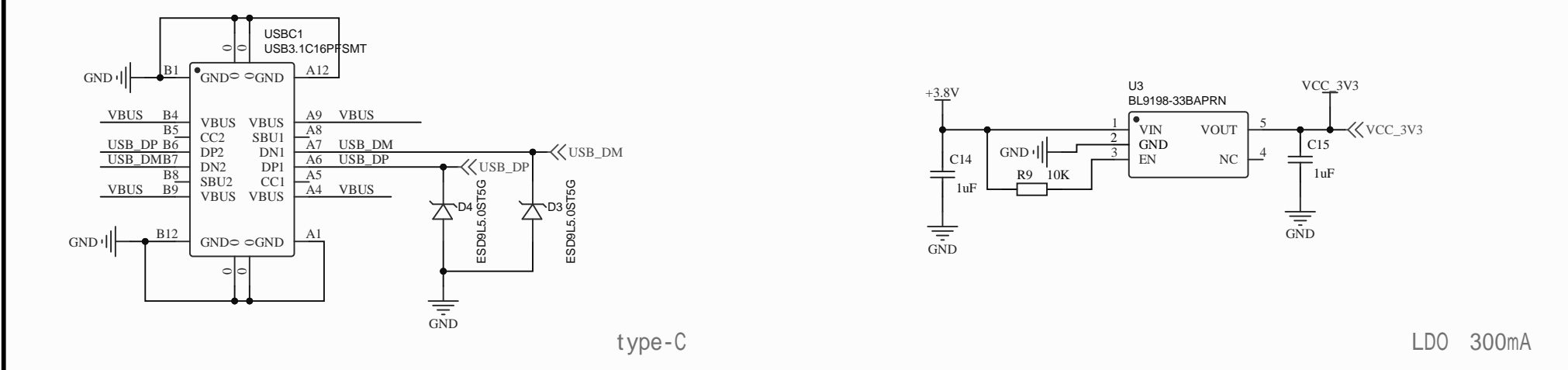
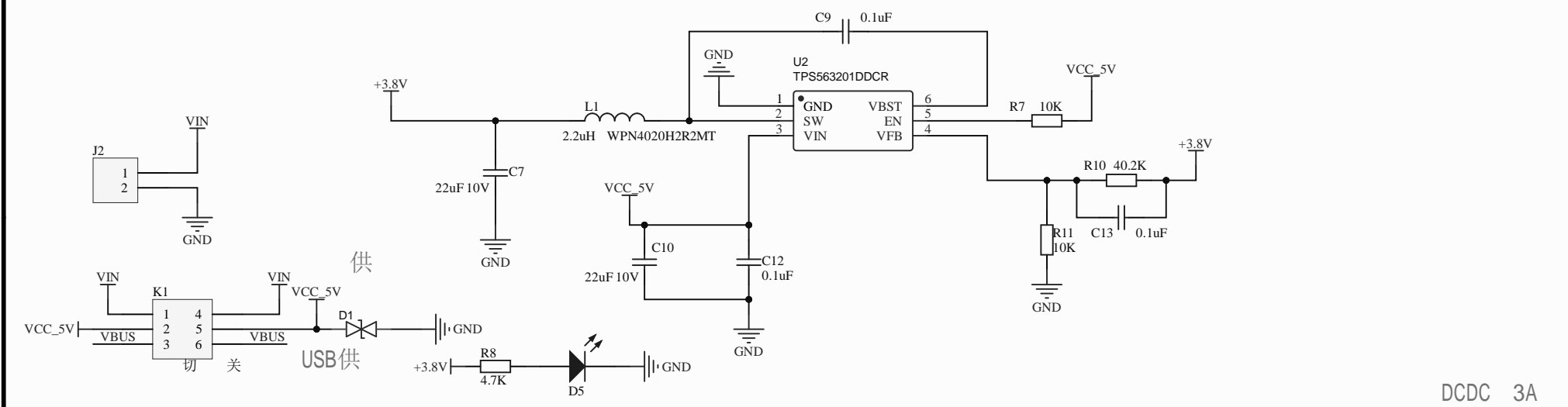




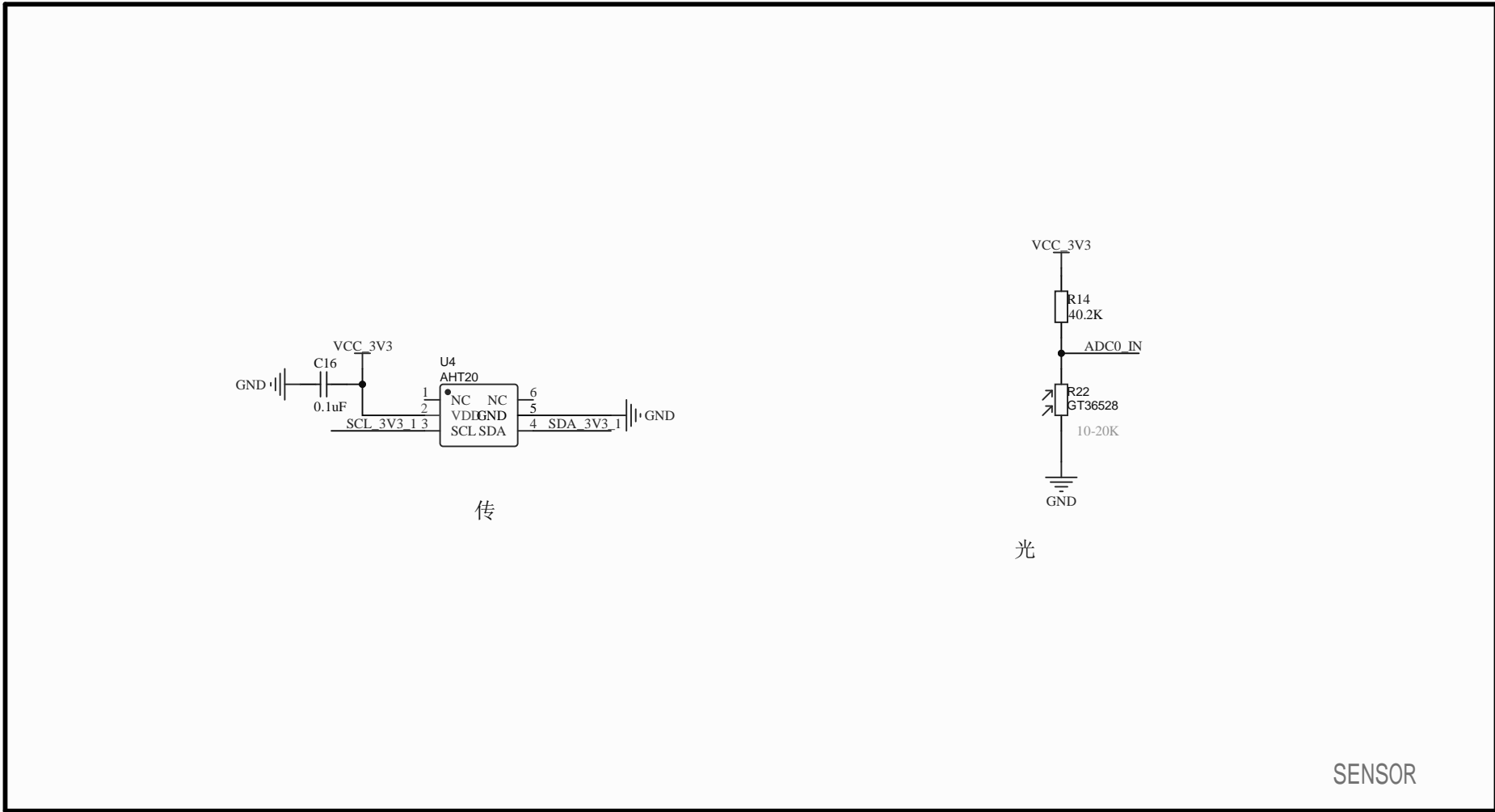




Title		EC600X	
Size	Number	Revision	
A2			
Date	3-31-2023	Sheet of	
File	\\G:_1\1\EC600S.SchDoc	Drawn By:	



Title		
Size A4	Number	Revision
Date:	3-31-2023	Sheet of
File:	G:\...\2.POWER.SchDoc	Drawn By:

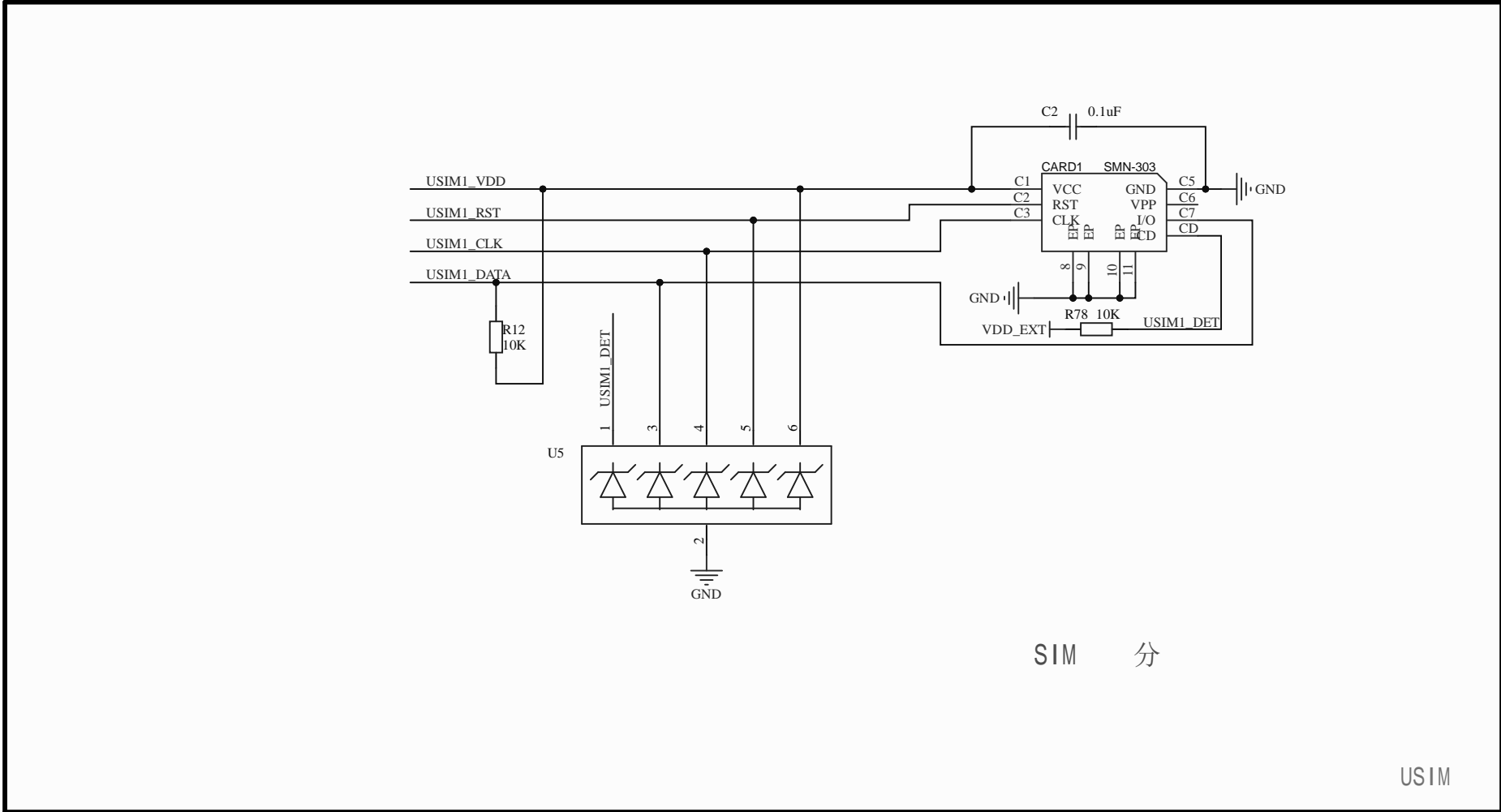


传

光

SENSOR

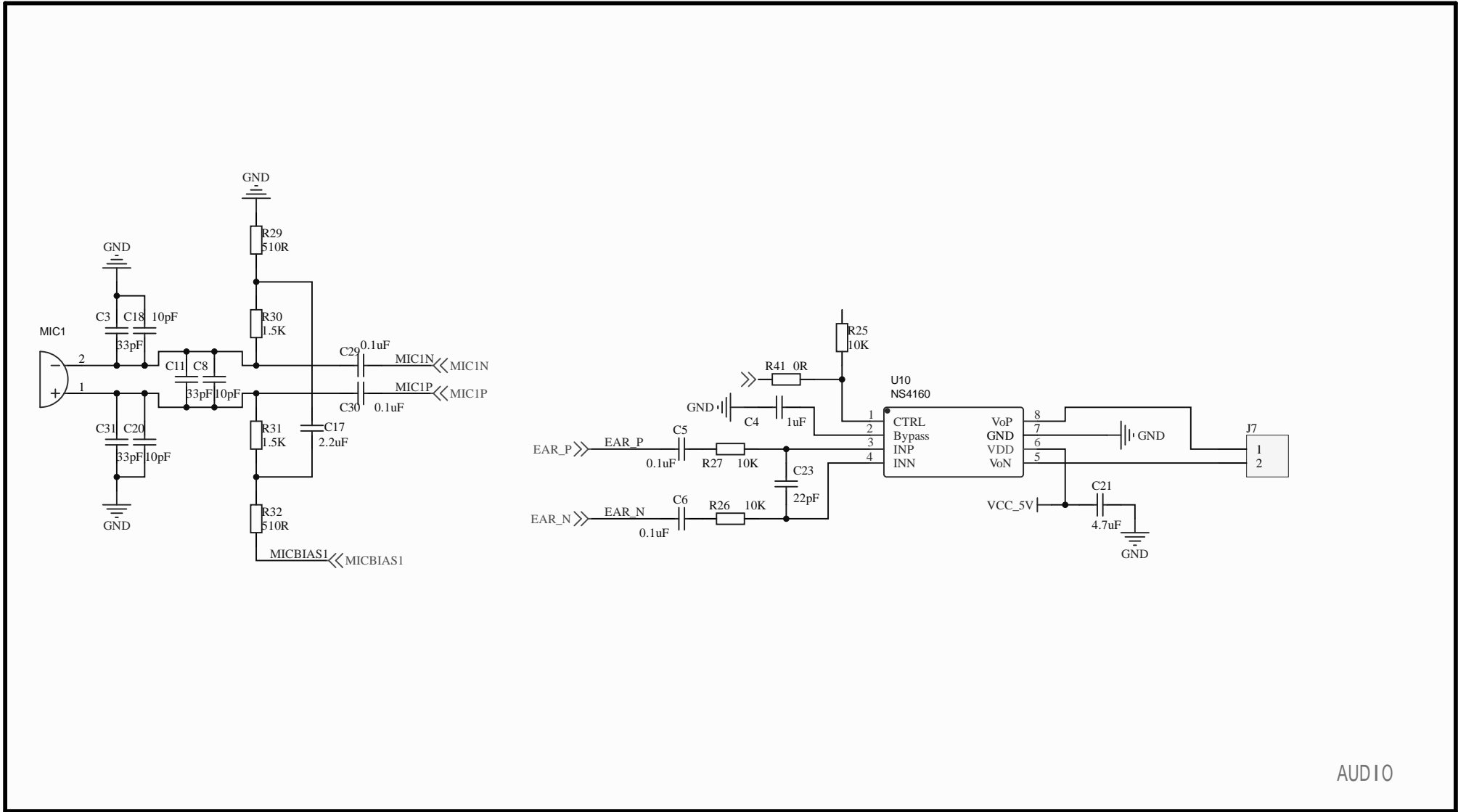
Title		
Size	Number	Revision
A4		
Date:	3-31-2023	Sheet of
File:	G:\...\3.SENSOR+EEPROM.SchDoc Drawn By:	



SIM 分

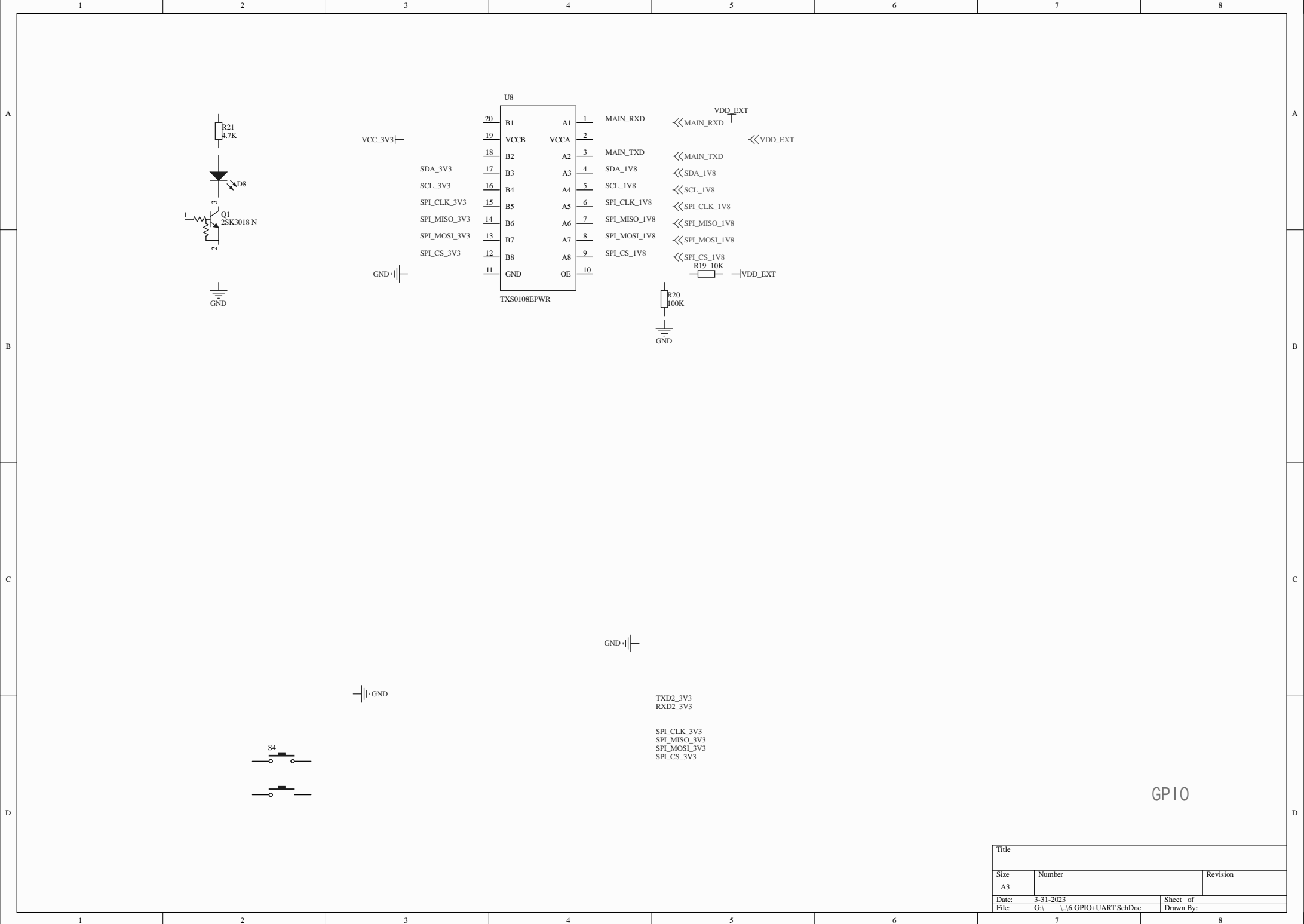
USIM

Title		
Size A4	Number	Revision
Date:	3-31-2023	Sheet of
File:	G:\...4.SIM-CARD.SchDoc	Drawn By:



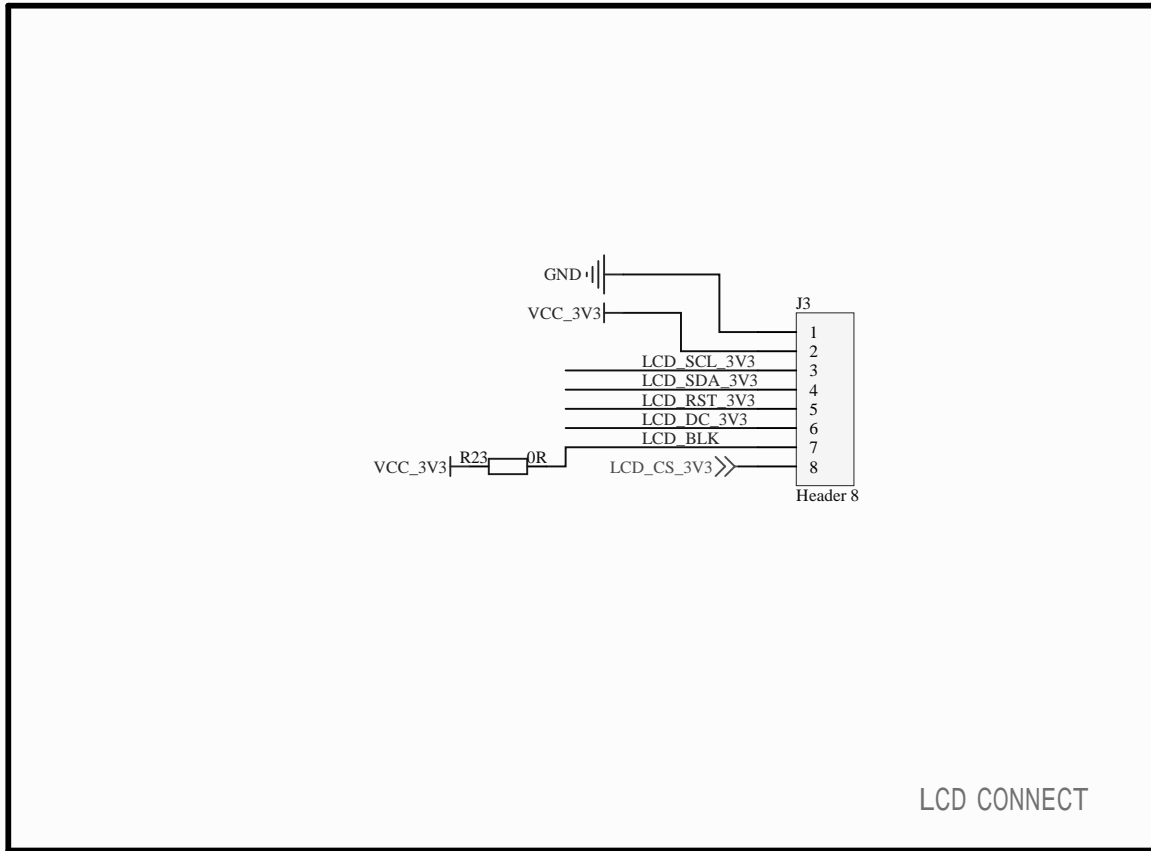
AUDIO

Title		
Size	Number	Revision
A4		
Date:	3-31-2023	Sheet of
File:	G:\...\.5.AUDIO.SchDoc	Drawn By:



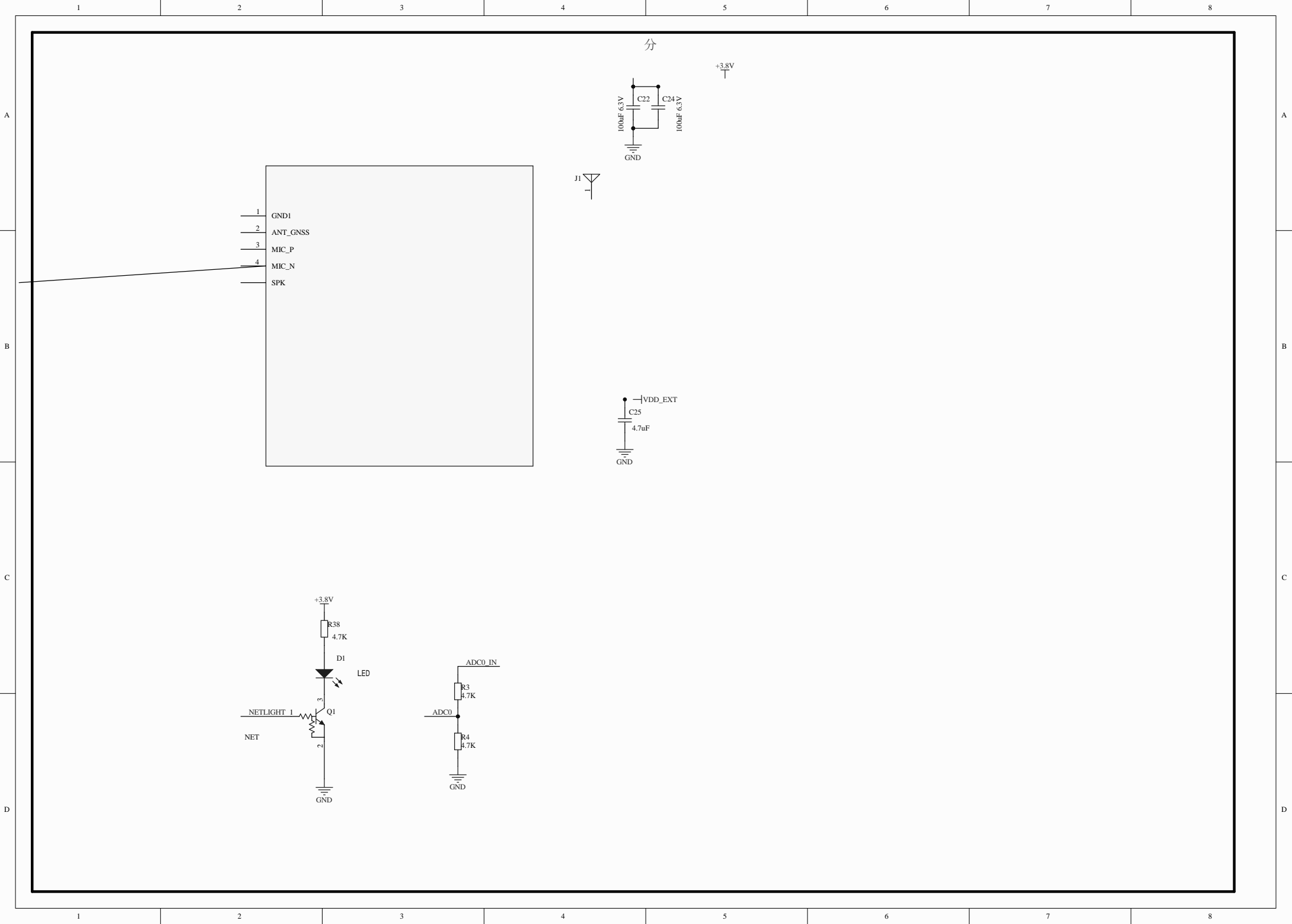
GPIO

Title		
Size A3	Number	Revision
Date: 3-31-2023	Sheet of	
File: G:\...6.GPIO+UART.SchDoc	Drawn By:	

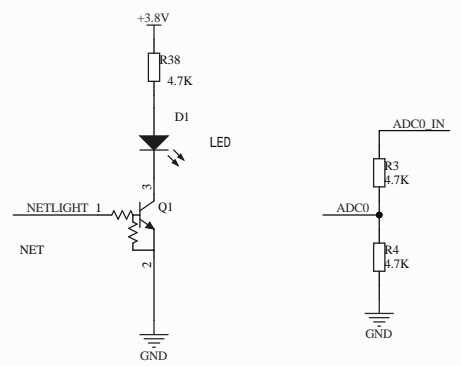
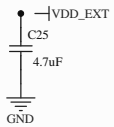
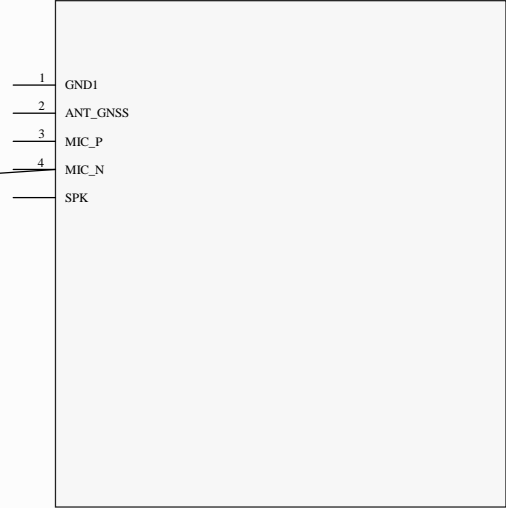
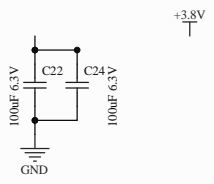


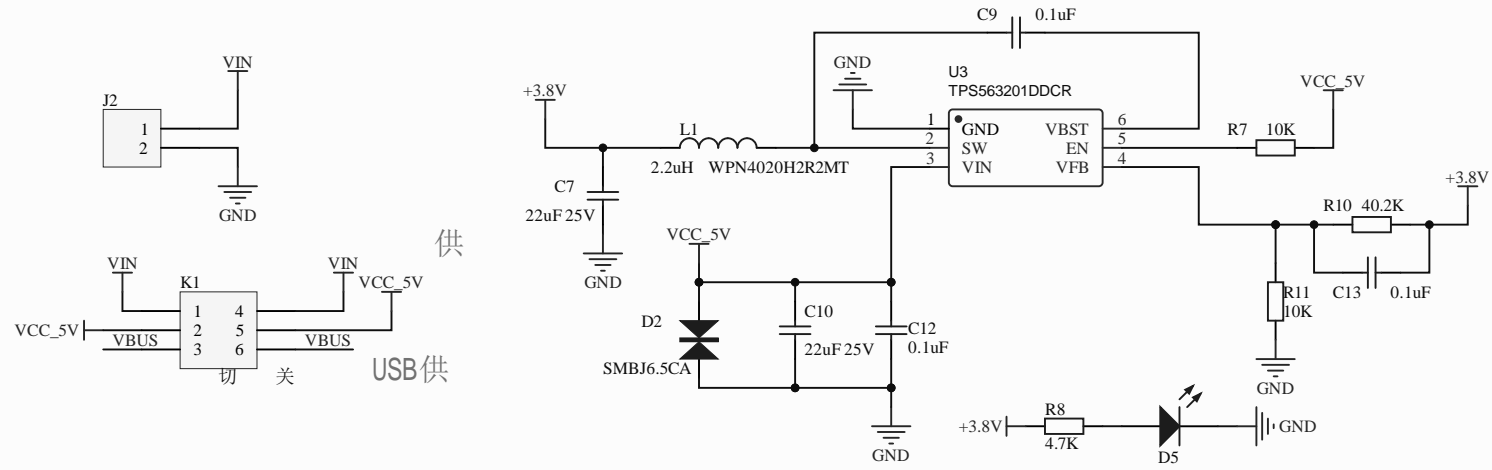
LCD CONNECT

Title		
Size A4	Number	Revision
Date:	3-31-2023	Sheet of
File:	G:\...\7.LCM.SchDoc	Drawn By:

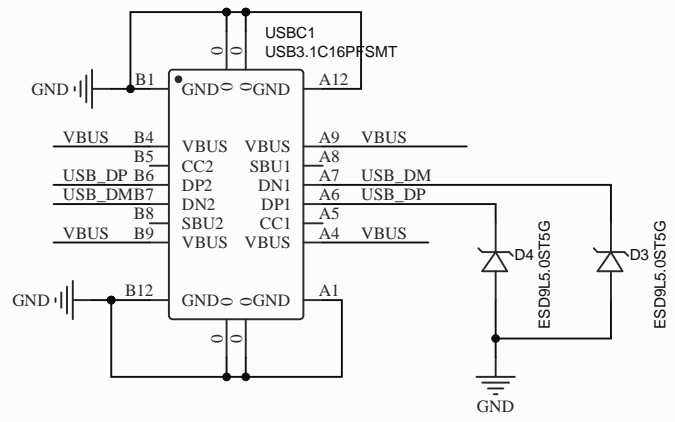
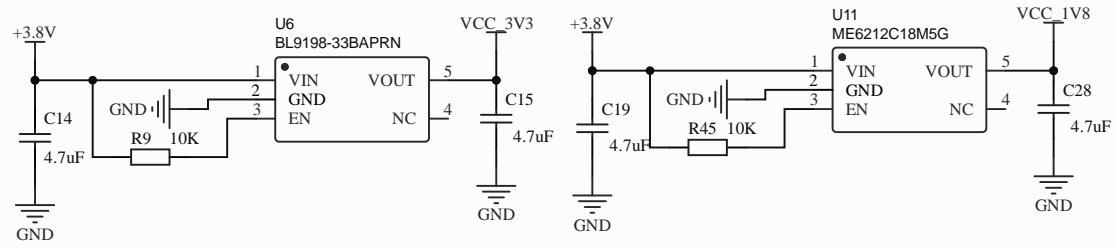


分





DCDC



type-C

1

2

3

4

A

A

B

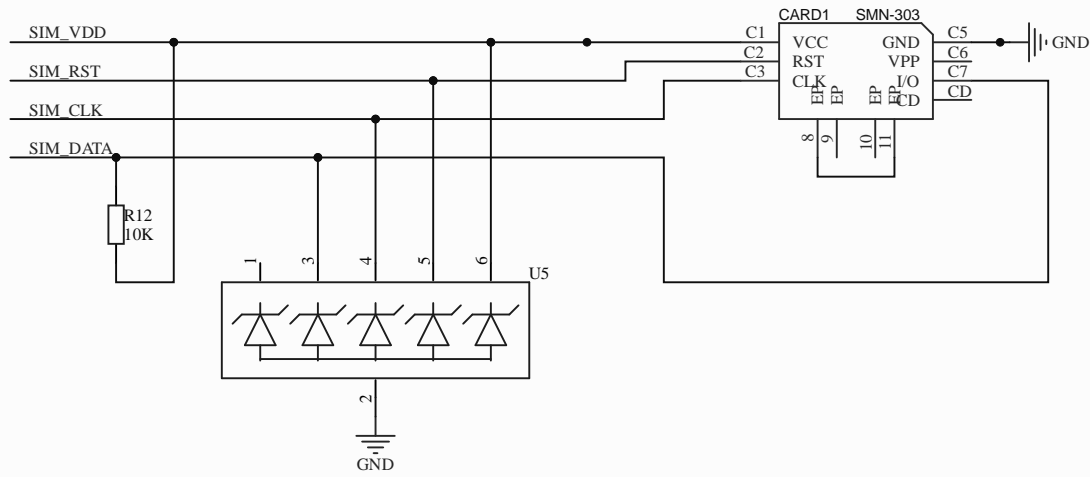
B

C

C

D

D



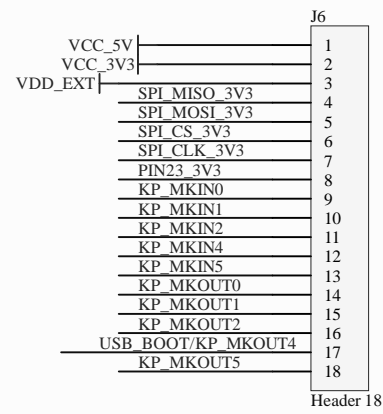
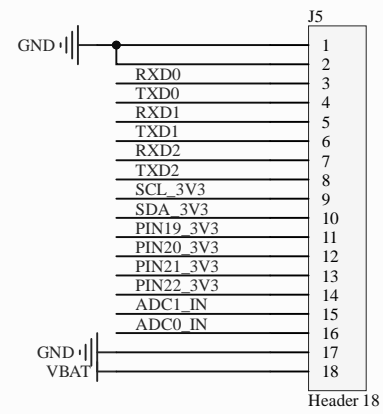
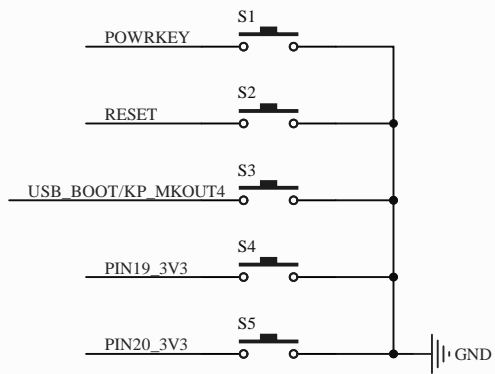
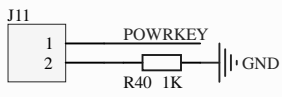
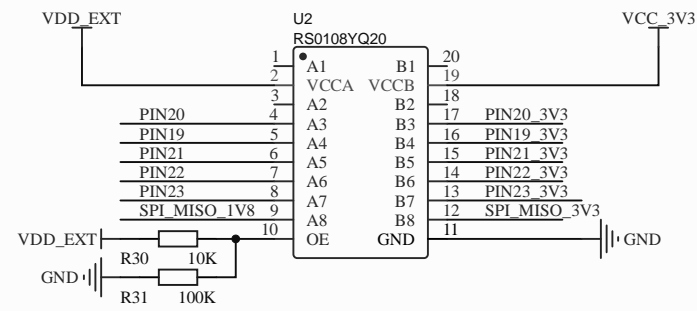
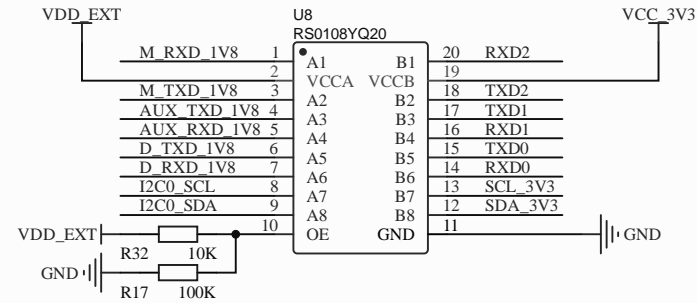
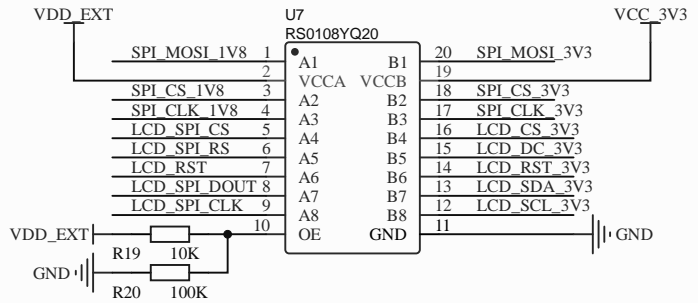
USIM

1

2

3

4



GPIO

1

2

3

4

A

A

B

B

C

C

D

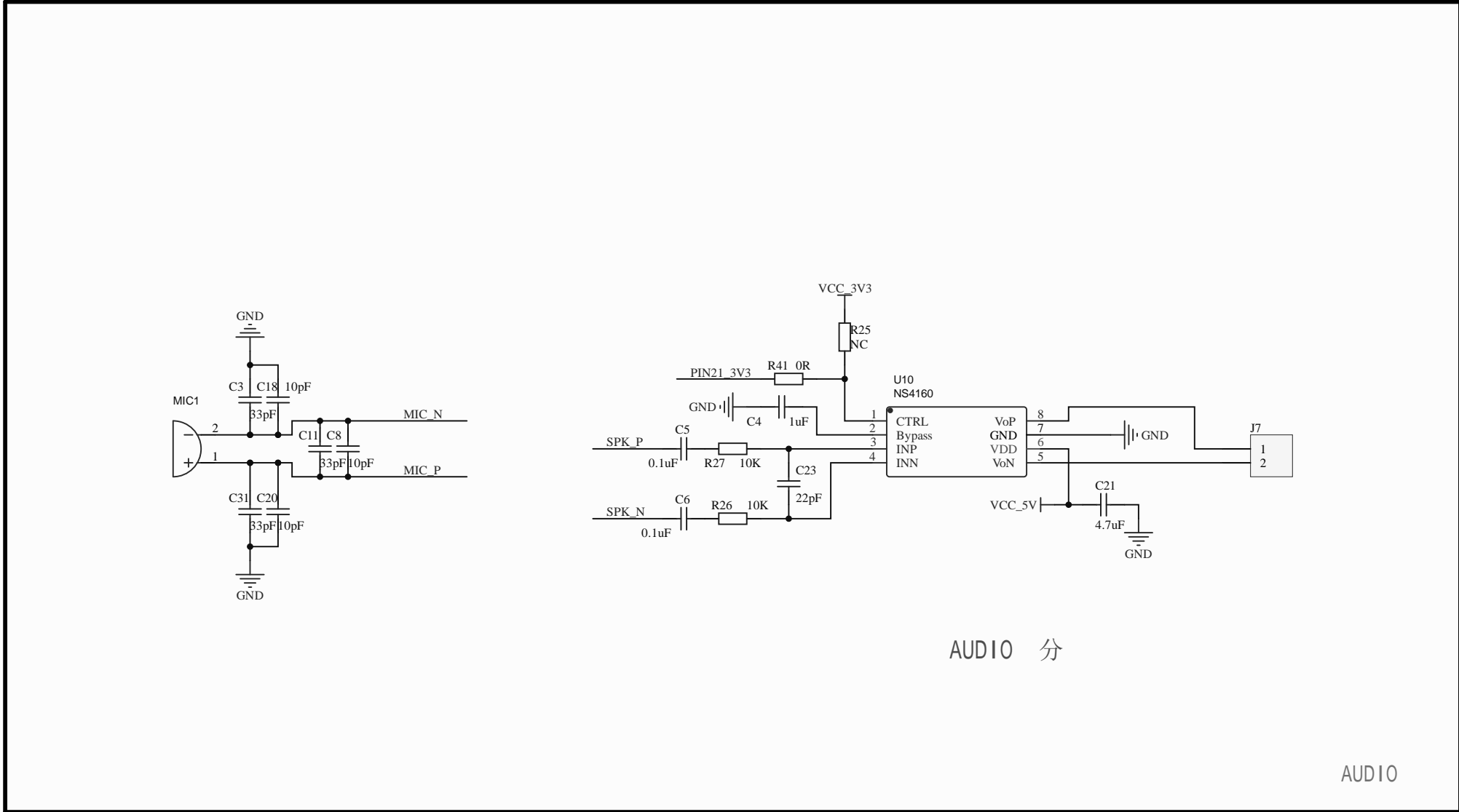
D

1

2

3

4



AUDIO 分

AUDIO

1

2

3

4

A

A

B

B

C

C

D

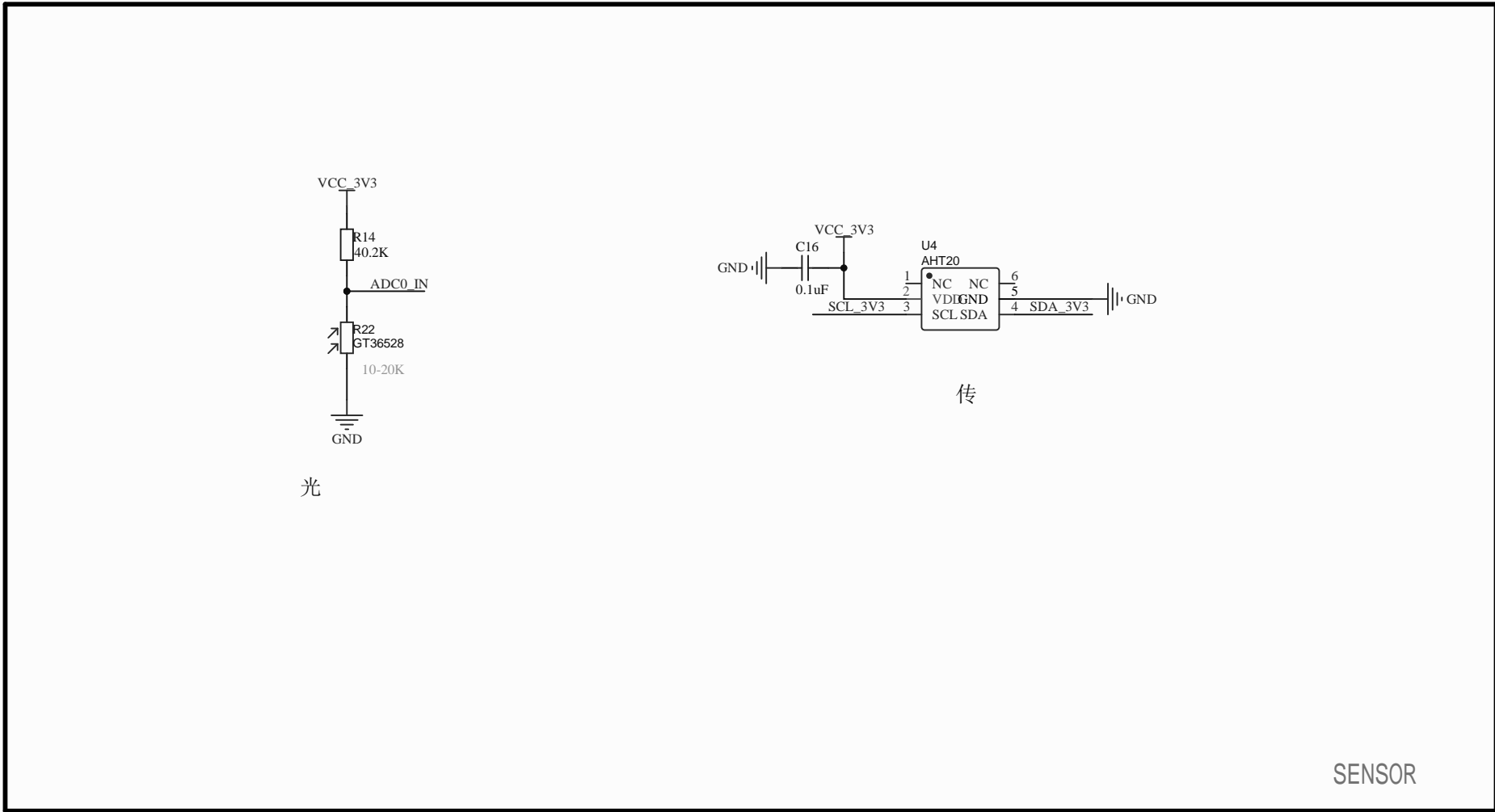
D

1

2

3

4



光

传

SENSOR

1

2

3

4

A

A

B

B

C

C

D

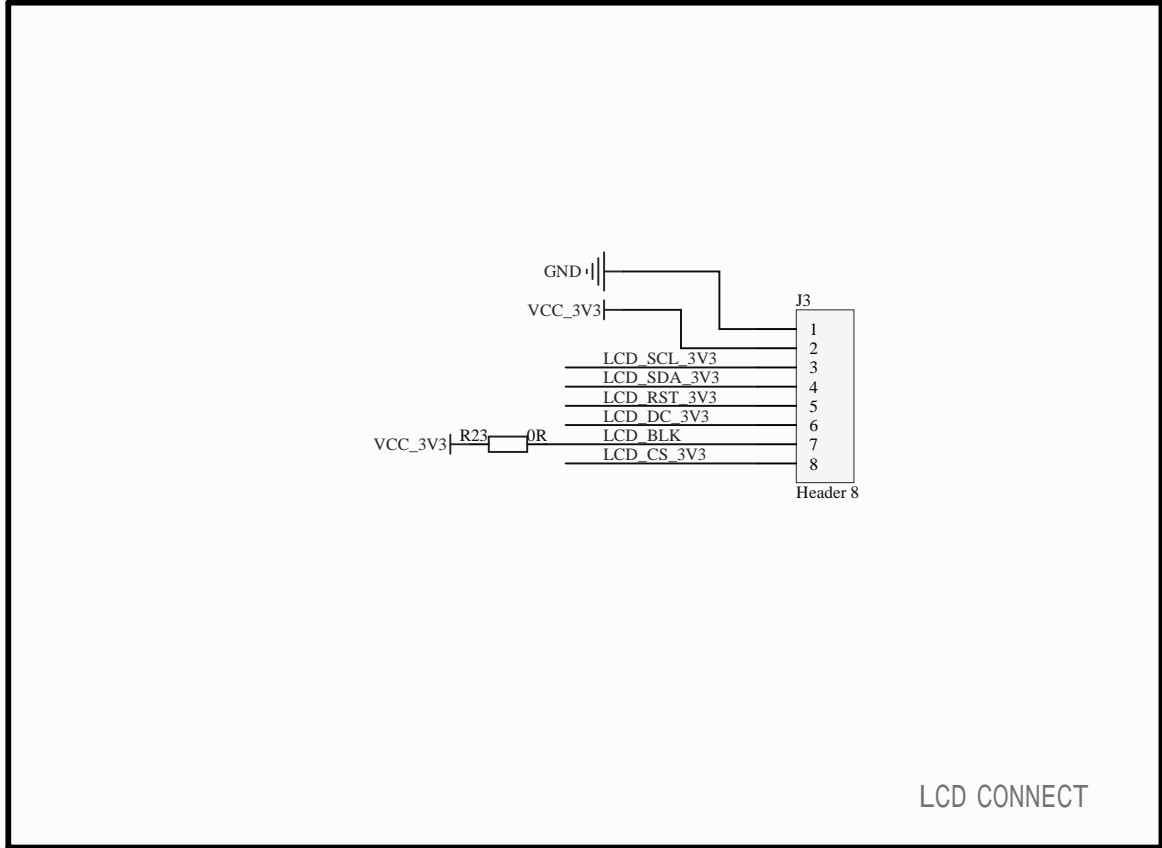
D

1

2

3

4



LCD CONNECT

1

2

3

4

A

A

B

B

C

C

D

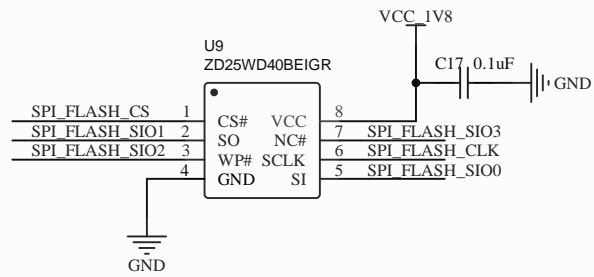
D

1

2

3

4



Flash